

# RGB Controller/Amplifier

Bright Green RGB Controller is designed for controlling RGB LED flexible tape and features a touch colour wheel.

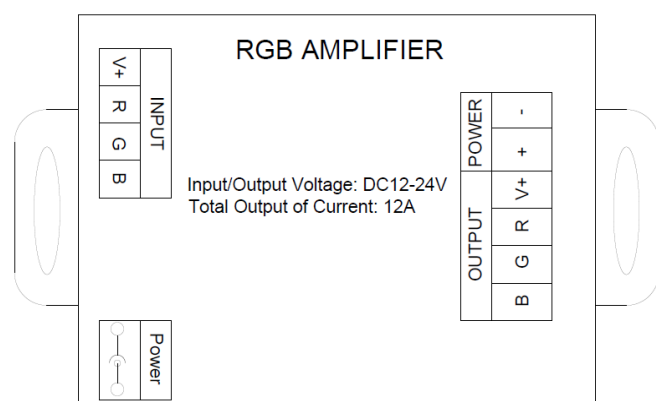
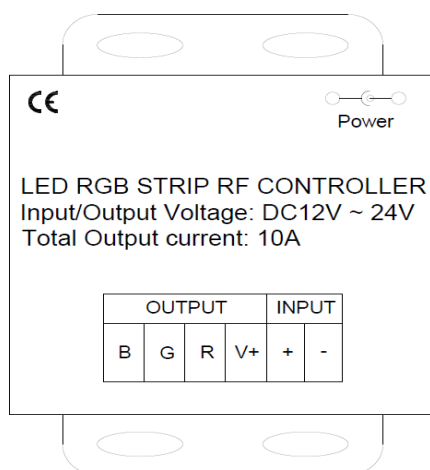
The Bright Green RGB amplifier is designed to increase the quantity of the RGB LED systems that can be used in one application.



## Product Range

| Detail                       | C-RGB-CON18                | C-RGB-AMP12                |
|------------------------------|----------------------------|----------------------------|
| Nominal Supply Voltage       | 12-24V DC                  |                            |
| Maximum Current Output       | 10A                        | 12A                        |
| Continuous Output Power, Max | 120W at 12V<br>240W at 24V | 144W at 12V<br>288W at 24V |
| Battery                      | 3x 1.5V AAA                |                            |
| Max Current/Channel          | 6A                         | 4A                         |

## Dimensions



## DATASHEET

# Bright Green RGB Controller

### Electrical Connection

Typical connection is a low-voltage DC supply in the range 9-32V.

Connection terminals are rising-clamp terminal blocks capable of receiving up to 4mm<sup>2</sup> cable. The connectors are spaced at 5mm pitch. To maximise the potential of the units, cable rated at currents exceeding the load by 1.5 times should be used for connection.

### Operation Notes

Operating temperature range: -20° to 60°C.

### Connection

Installation should be carried out by suitably qualified personnel. Connect to a stabilised power supply with full approvals.