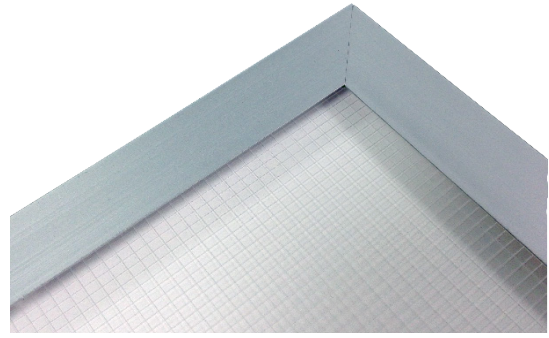


# Bright Green LED Snap Frame



Bright Green LED Snap Frames are ideal for retail displays; with high illumination quality and easy graphic change



DIMMABLE



CUSTOM SIZES

STRICT BIN CONTROL for consistent colour temperature

Prototyping service available



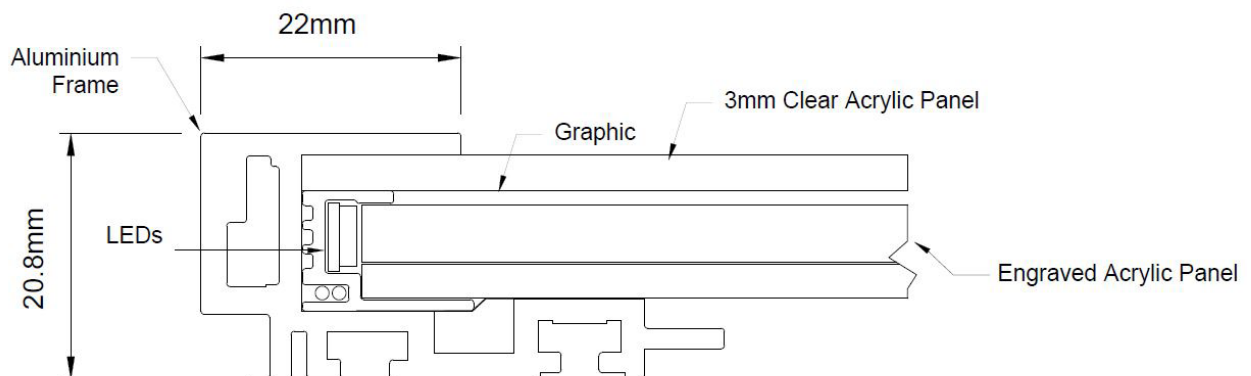
Profile	Anodised extruded aluminium snap frame
Dimensions	Made in custom sizes to meet your requirements. Max. 2400mm x 2000mm. Tolerance $\pm 2$ mm
Depth	Single sided: 20mm or 39mm Double sided: 46mm
Colour	Silver anodised as standard, optional powder coating
Graphic	Backlit display prints i.e. Duratrans
Lighting	LED Light Panel

## Dimensions

Single sided - 20mm

Print size - outer frame dimension minus 17mm

Visible image area - outer frame dimension minus 44mm



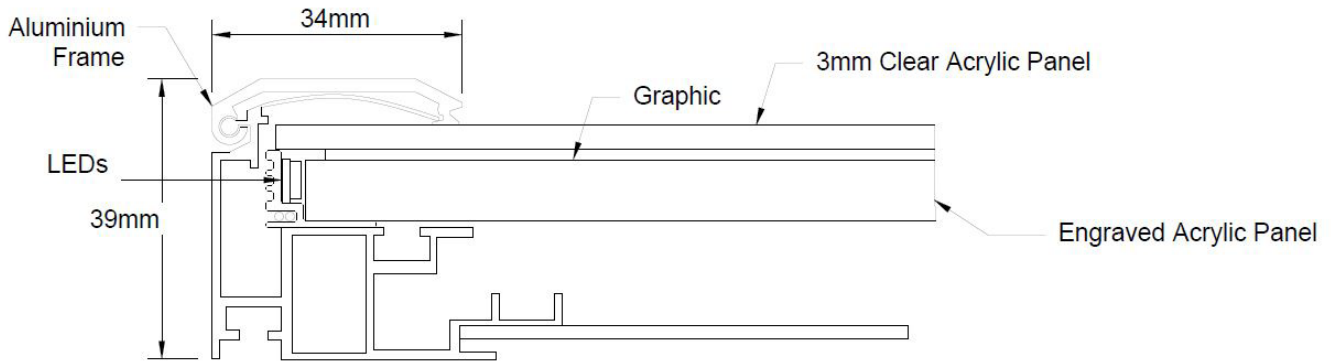
## DATASHEET

# Bright Green LED Snap Frame

Single sided - 39mm

Print size - outer frame dimension minus 20mm

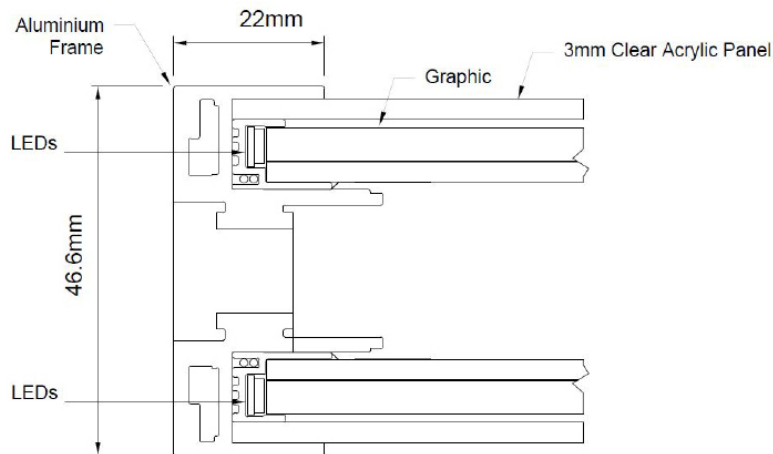
Visible image area - outer frame dimension minus 68mm



Double sided - 46mm

Print size - outer frame dimension minus 17mm

Visible image area - outer frame dimension minus 44mm



## Connection

Installation should be carried out by suitably qualified personnel.