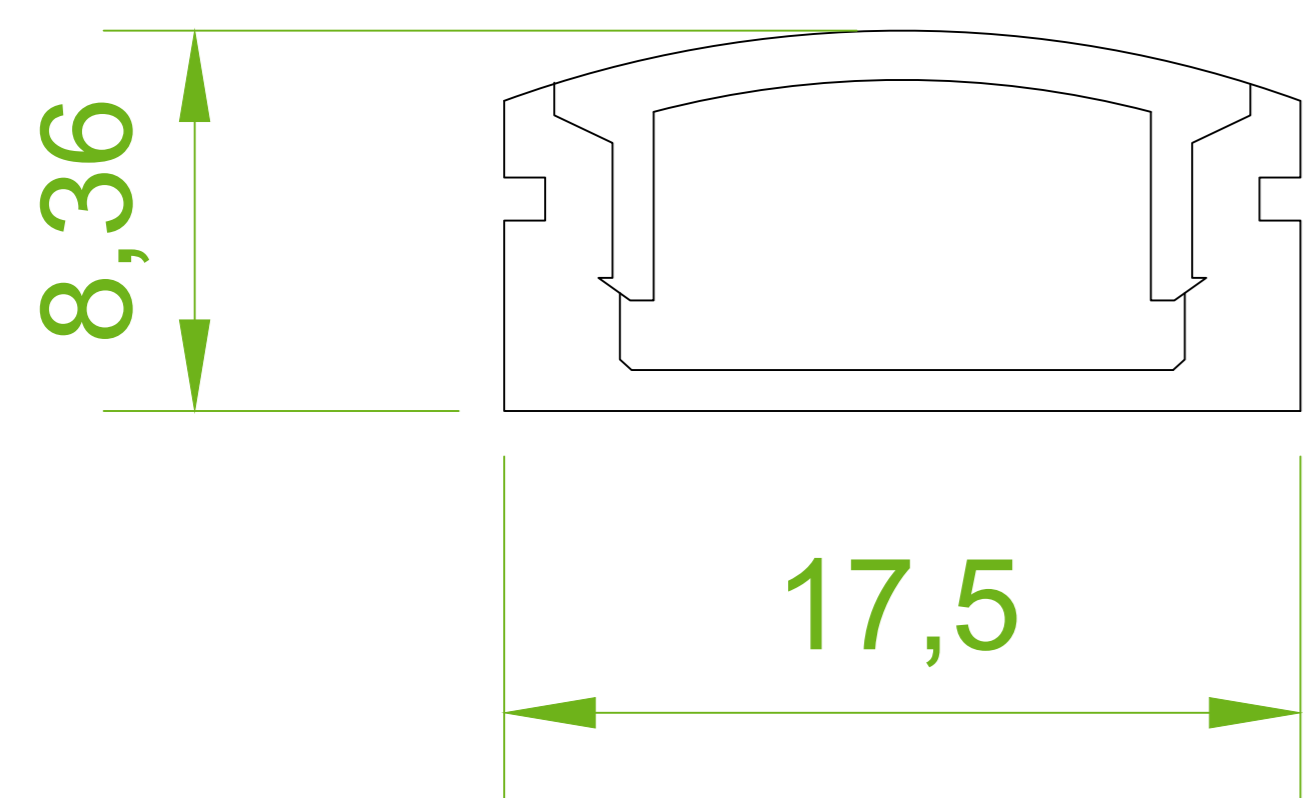


**REVISION HISTORY**

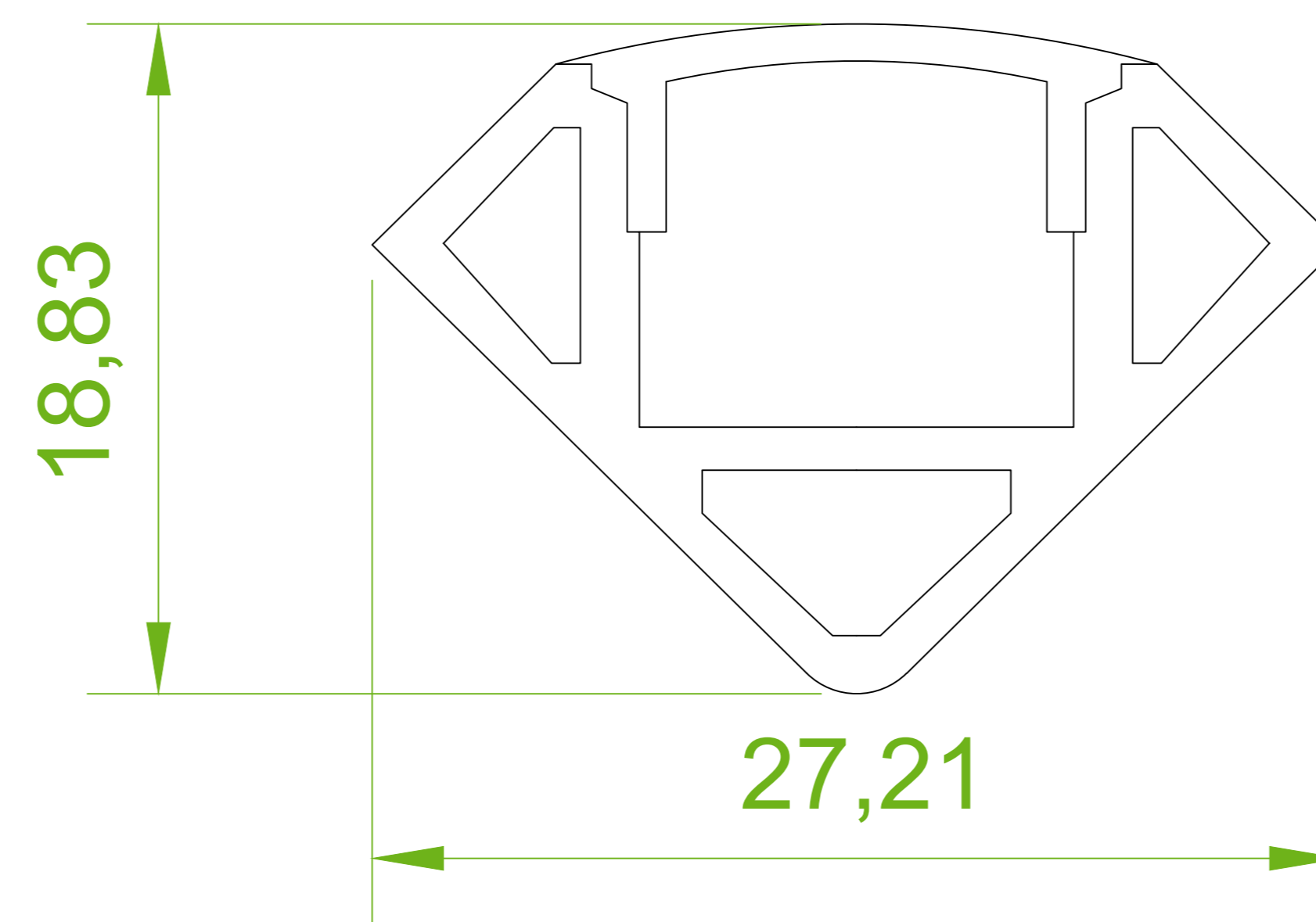
REVISION	DESCRIPTION	DATE	APPROVED BY
1	First Issue	08/09/2020	AS

**Assembly**

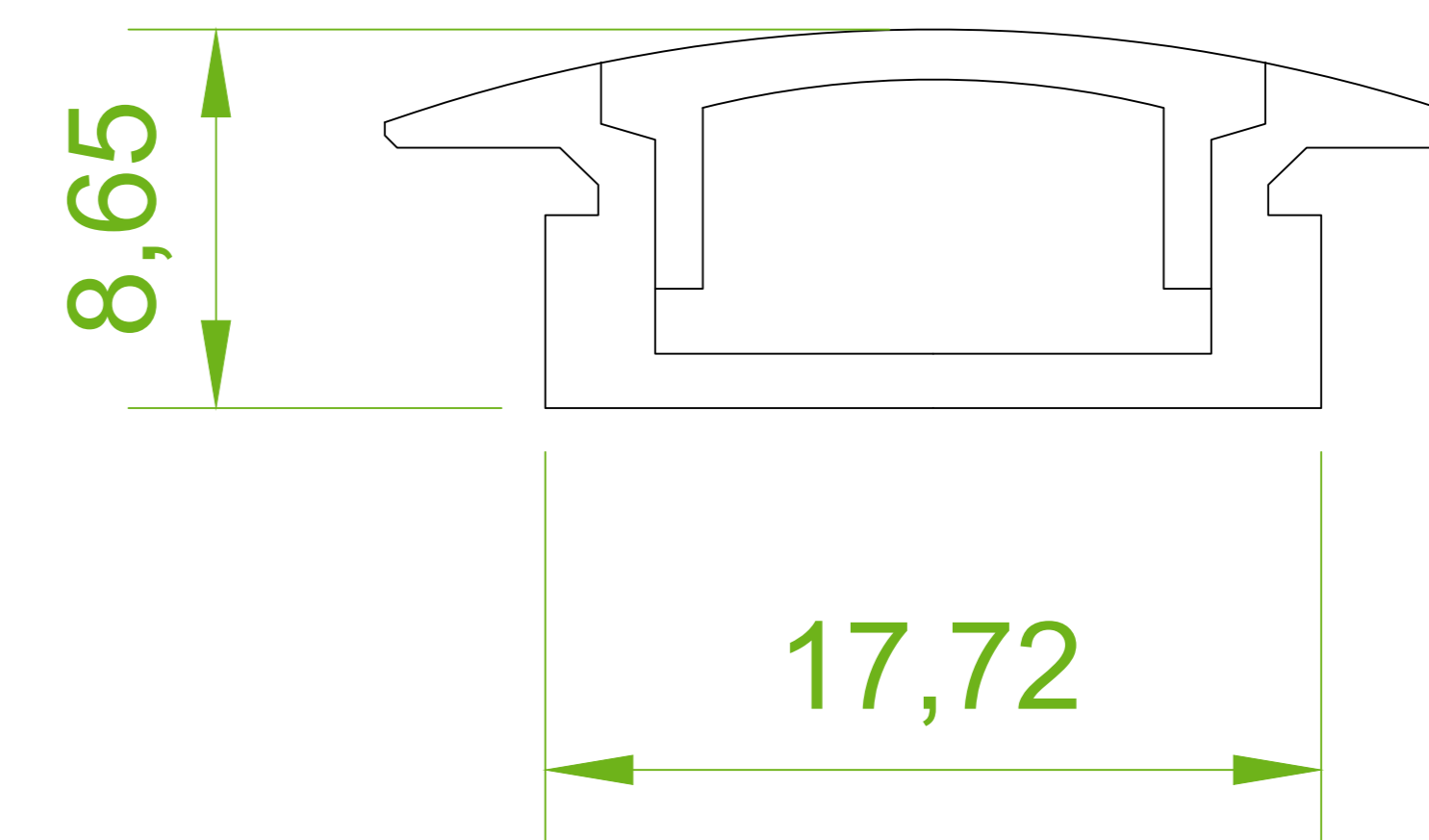
**FK-001**



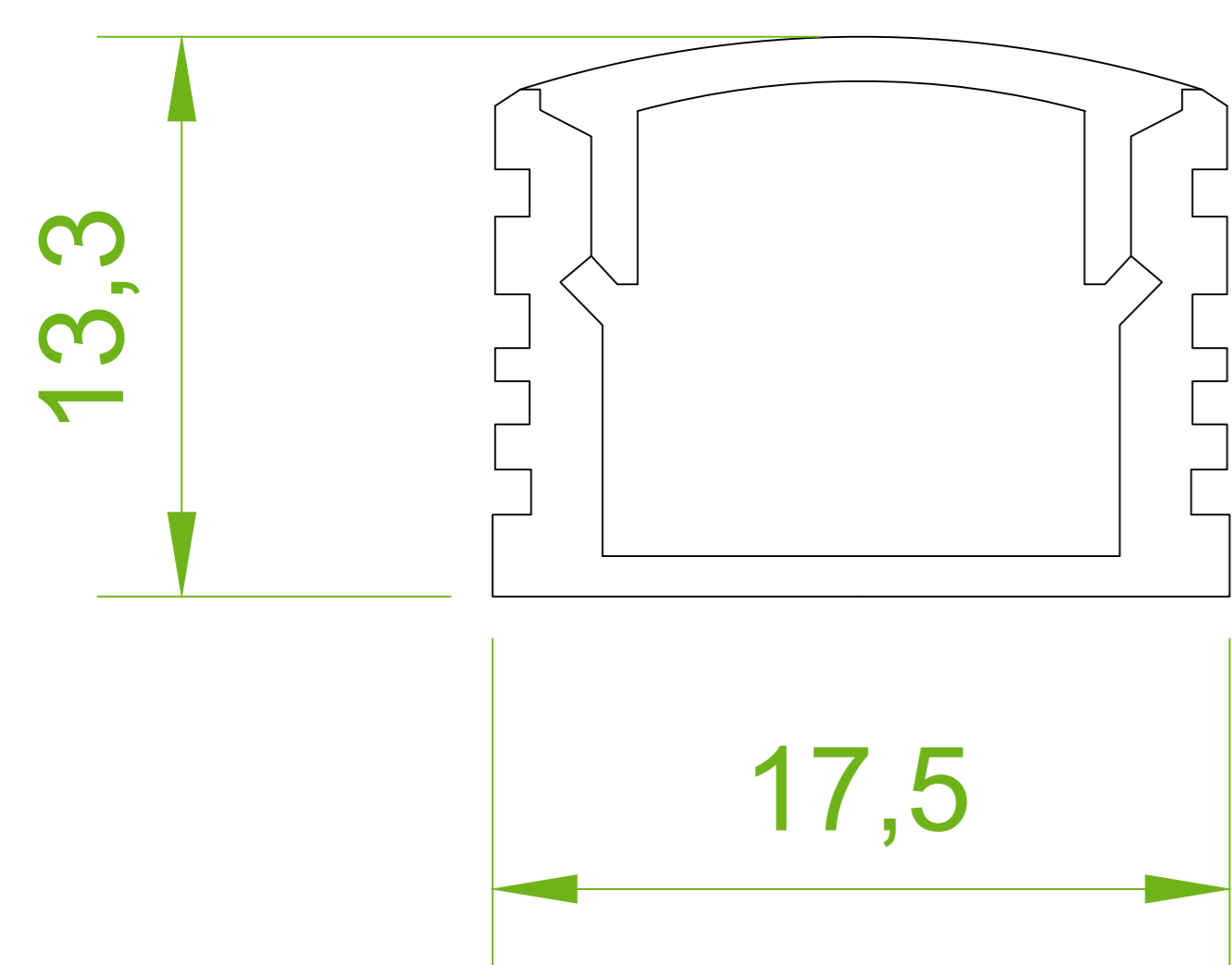
**FK-003**



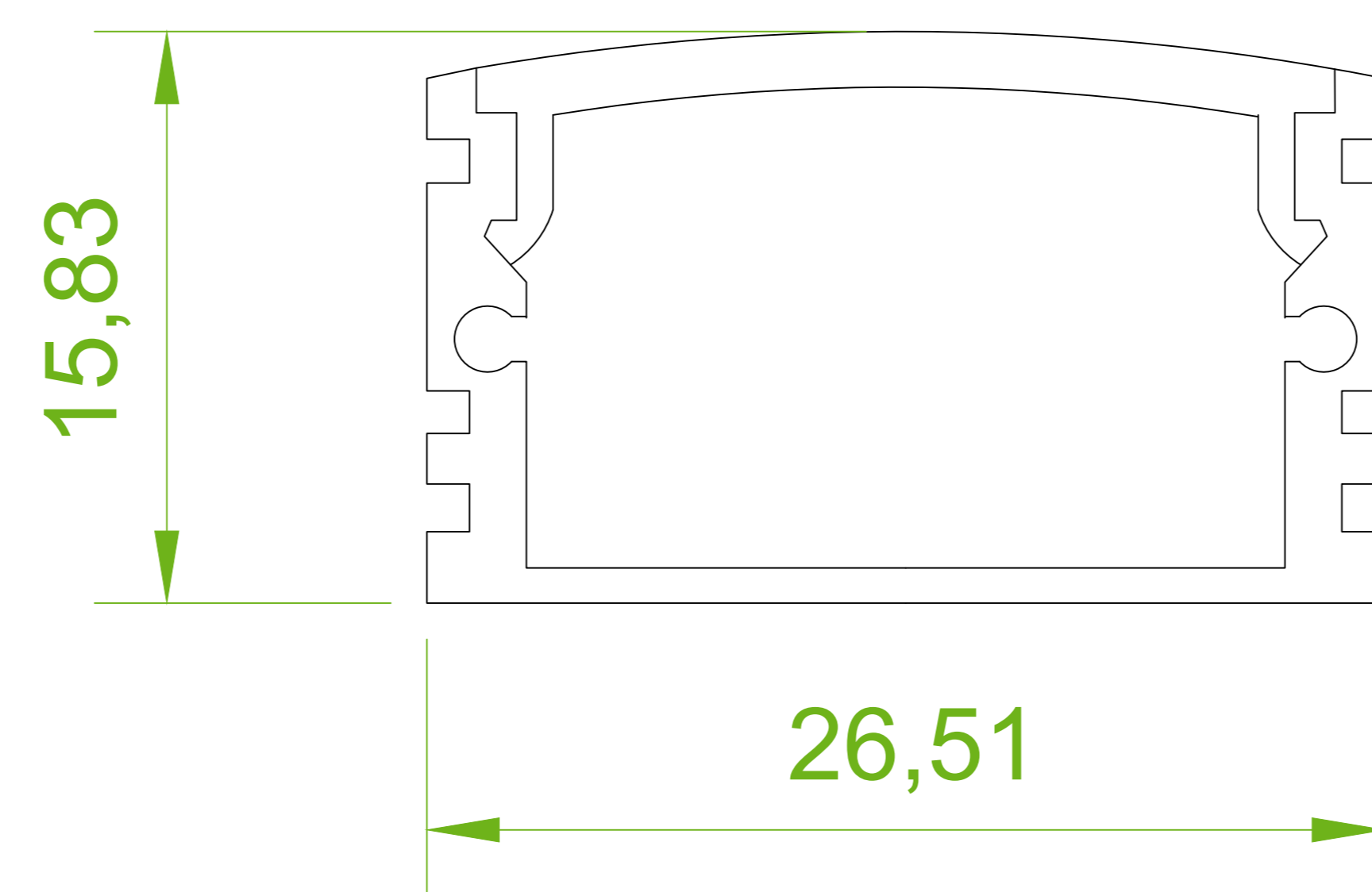
**FK-005**



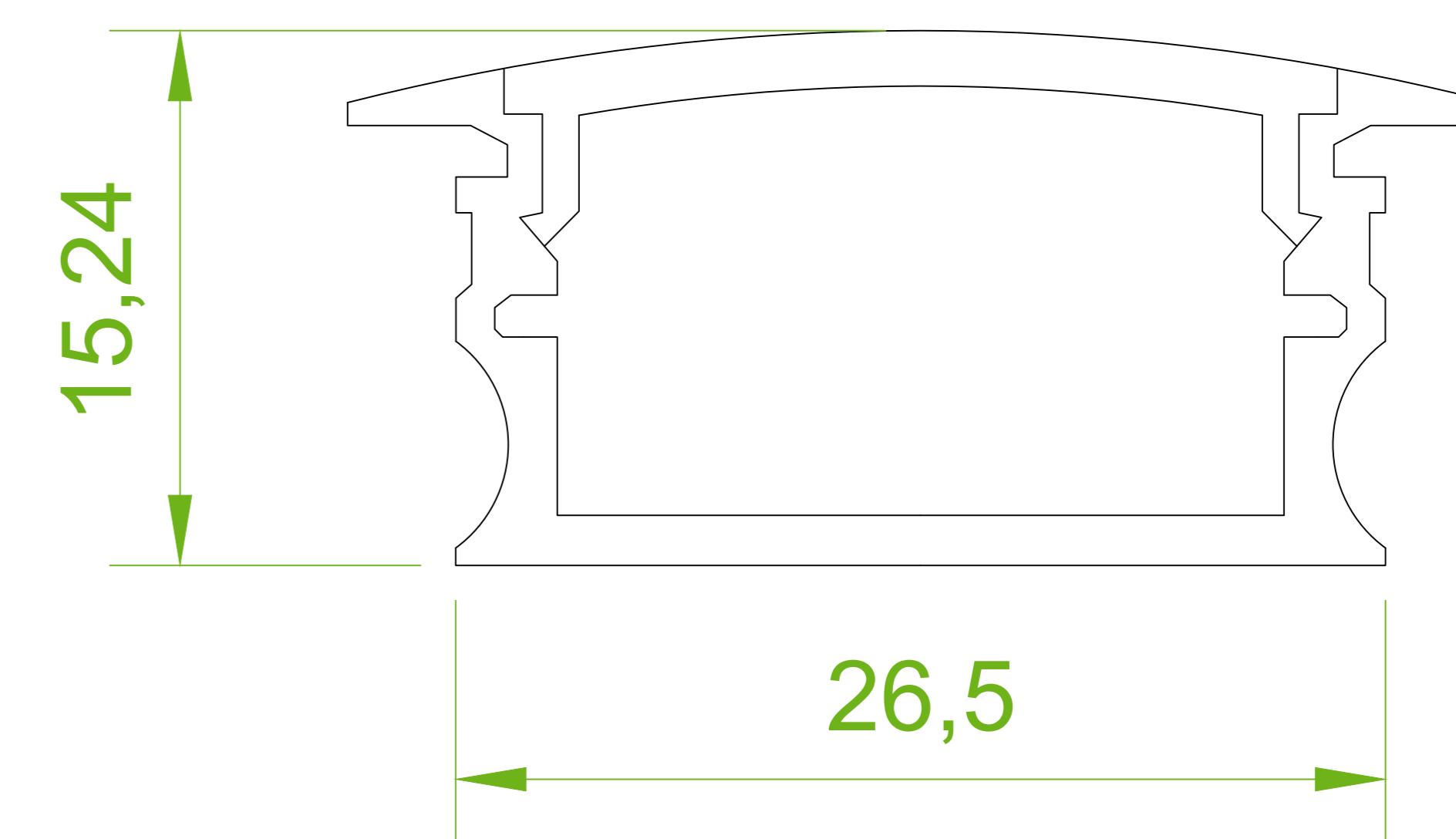
**FK-002**



**FK-004**



**FK-006**



**Notes**

Profiles are available in varying lengths and with a clear or opal diffuser

ALL DIMENSIONS ARE IN MILLIMETRES  
TOLERANCES UNLESS OTHERWISE  
STATED ARE:  
- Dimensions: ±1.0  
- True Position: ±0.1  
- Diameter: ±0.05

COPYRIGHT OF THIS DOCUMENT IS  
RESERVED BY BRIGHT GREEN  
TECHNOLOGY LTD. IT IS ISSUED ON  
CONDITION THAT IT IS NOT COPIED OR  
DISCLOSED TO A THIRD PARTY OR USED  
FOR MANUFACTURING PURPOSES, EITHER  
WHOLLY OR IN PART, WITHOUT THE  
WRITTEN CONSENT OF BRIGHT GREEN  
TECHNOLOGY LTD. IT MUST BE RETURNED  
WHEN ITS AUTHORISED USE IS  
TERMINATED

Unit 3, Oyster Park  
109, Chertsey Road  
Byfleet  
KT14 7AX  
United Kingdom  
+44 (0) 1932 355 221  
www.brightgreentechnology.com



Drawn By	Checked By	Creation Date	Revision
AS	BN	08/09/2020	1
Bright Green Aluminium Profiles			
Drawing No. <b>BGT-PD-006</b>			Sheet 1