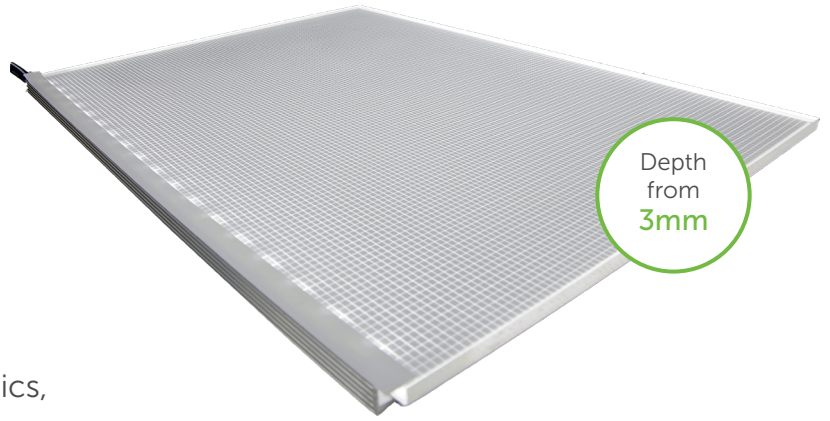


DATASHEET

Bright Green LED Light Panel



Bright Green LED Light Panel is a slim, efficient and easy way to illuminate graphics, signs and architectural features.

LED light panels are custom engraved acrylic sheets, illuminated by LEDs from the edge. This light guide design ensures bright, even illumination across the whole panel.

12V or
24V



HIGH
CRI
OPTION

IES
FILE
AVAILABLE



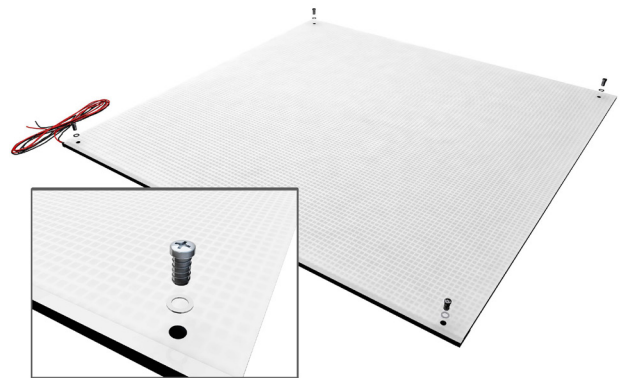
Specification

Detail	Input Voltage Range
Maximum illuminated dimensions	2400 x 1200mm (larger sizes available on request)
Panel thickness	5mm as standard, other options available
Operating voltage	12V or 24V DC
Power per linear metre	20W for white, 14.4W for RGB, 23W for Dynamic White
Luminous Efficacy (White LED)	125 lm/W
Colour temperature	2200K, 2700K, 3000K, 4000K, 5300K, 6500K, RGB and Dynamic White
CRI	CRI > 80 (> 90 available on request)
LED chip manufacturer	Samsung
Power cable length	1 metre as standard or to requested specification
Principal materials	Aluminium, acrylic, PET
Lifetime	L70 at 50,000 hours
Warranty	3 years
Dimmable	0-10V, DALI, DMX
Operating temperature	-10° to 45°C
Storage temperature	-20° to 60°C
Wire	20 AWG stranded cable
Certification	LM80

Bright Green LED Light Panel



Connectors and brackets



LED Light Panel is supplied with a 1 metre cable tail or a connector if required. Common connectors include: 2.1 Female DC, Mini Mate-N-Lok or JST-XHP-02.

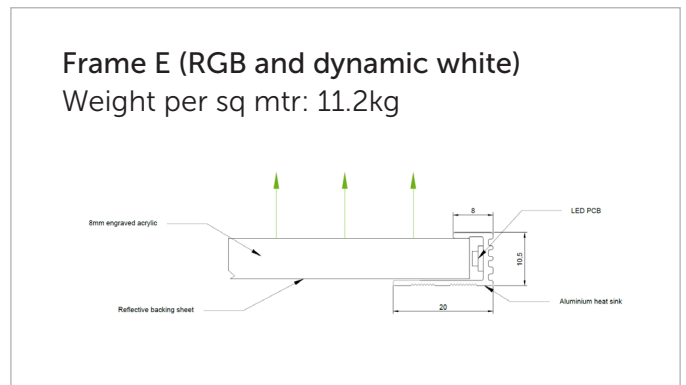
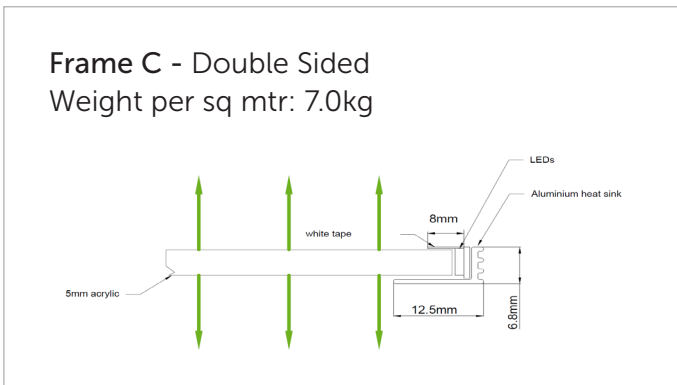
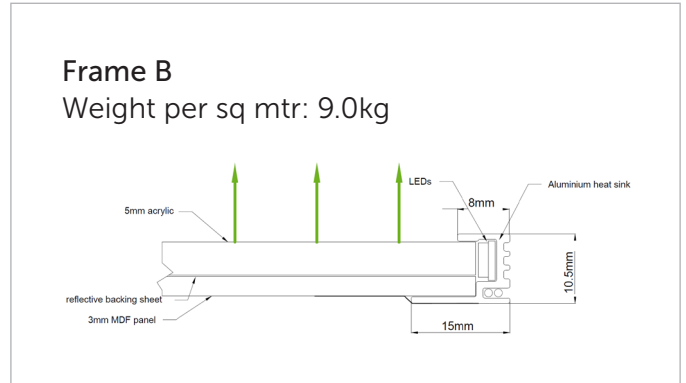
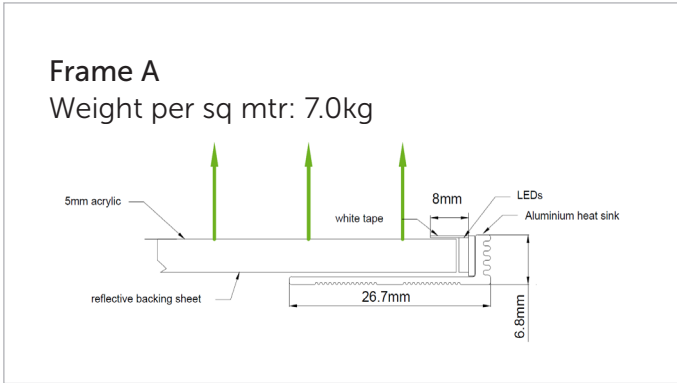
Other connectors are available on request.

Fixing holes must not be drilled on site. A drawing should be supplied on order if holes are required.

DATASHEET

Bright Green LED Light Panel

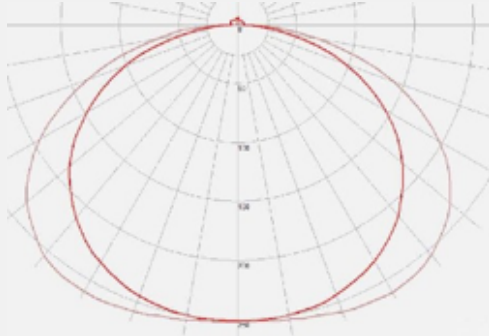
Dimensions



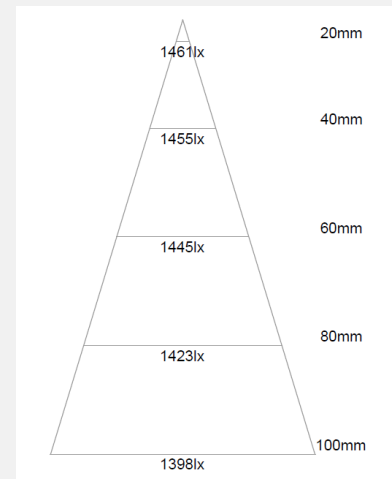
Photometric Data

Example using a 600 x 600mm panel

Light distribution diagram



Lux test diagram



Connection

Installation should be carried out by suitably qualified personnel. Please see the Bright Green LED Light Panel install guide for electrical connection and handling guidelines.