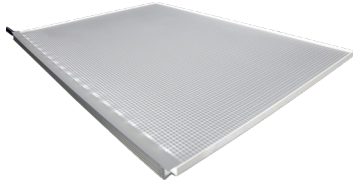


LED Light Panel Install & Handling Guide

Components required



20 AWG wire



Bright Green LED Light Panel



Power supply



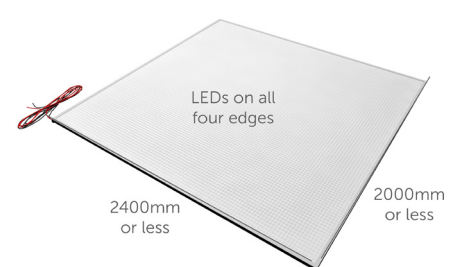
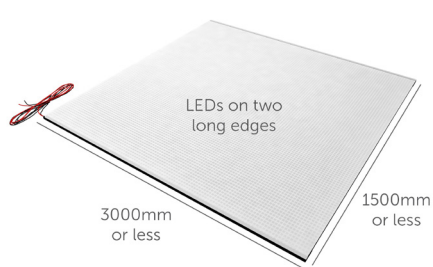
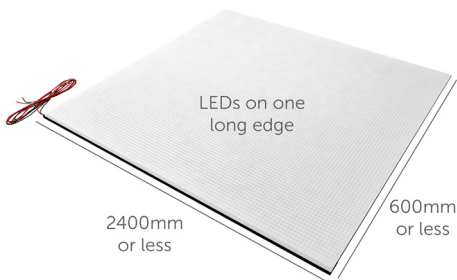
Wire connectors



Diffusing layer*

*We recommend using a diffusing layer with any LED Light Panel installation to obscure the grid pattern. This is not supplied as standard but can be supplied as an option.

Maximum illuminated dimensions



Bright Green LED Light Panel is available in larger sizes but we recommend making up larger areas with multiple, equal sized panels to ensure bright, even illumination. We can illuminate on more edges than shown above if a higher brightness is needed.

Construction

All LED Light Panels are custom manufactured with an optimised grid pattern for the panel size. This optimises performance and light distribution.

Principle materials:

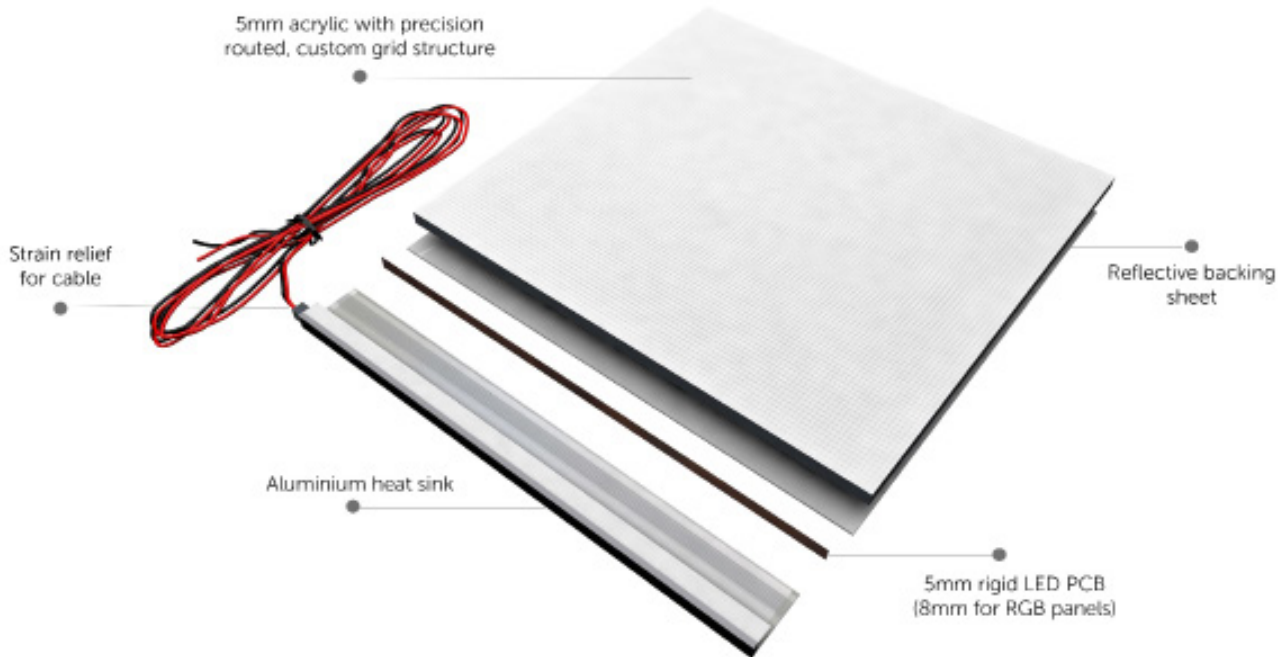
Aluminium, acrylic, PET

Tel +44 (0) 1932 355221 Email info@brightgreentechnology.com
Find out more at www.brightgreentechnology.com or visit
www.ledlightpanel.co.uk



LED Light Panel Install & Handling Guide

Exploded view



Installation

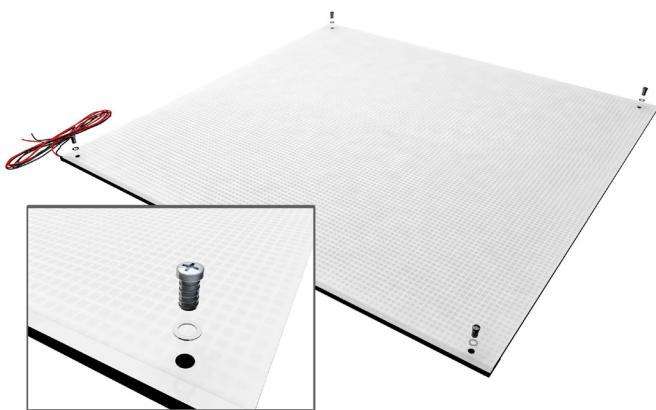
There is a minimum distance that must be left between the light panel and the diffusing layer/graphic, this distance will depend on the specific project and could be as much as 60mm.

We suggest testing before installation to ensure even diffusion with your selected material.

Do not adhere graphics or any other material directly to the panel and do not fix anything to the rear of a Frame A panel, as this may cause shadowing.

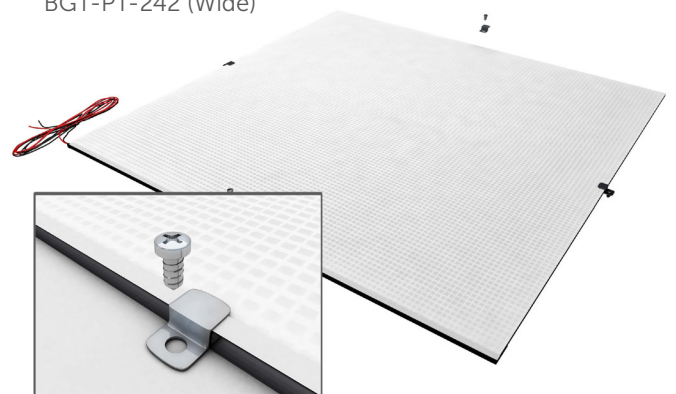
Leave a 5-10mm gap between panels to allow for heat expansion.

Screw mounting with pre-drilled holes:



Mounting with Z-bracket:

BGT-PT-122 (Frame A); BGT-PT-123 (Frame B);
BGT-PT-242 (Wide)



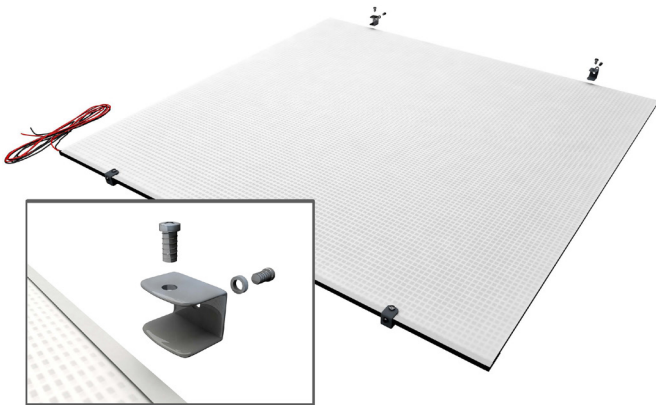
Tel +44 (0) 1932 355221 Email info@brightgreentechnology.com
Find out more at www.brightgreentechnology.com or visit
www.ledlightpanel.co.uk



LED Light Panel Install & Handling Guide

Mounting with U-bracket (Panel B):

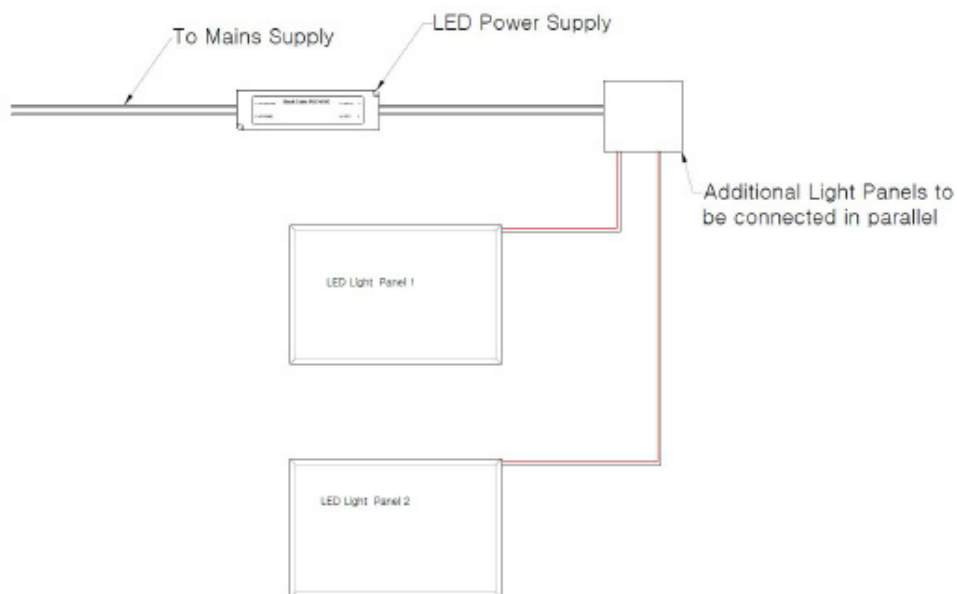
BGT-PT-243



Electrical connection and installation

Important note - Bright Green LED Light Panel is supplied as 12 or 24V. Always connect to the correct constant voltage LED driver as recommended by Bright Green Technology. The voltage of the LED Light Panel can be found on a label on the back of the panel.

If multiple LED Light Panels are wired to a single power supply, connect them in parallel, not in series to avoid voltage drop and maximise light output. Dimming should be provided by a suitable PWM dimming module or LED driver.



When connecting the panel to the LED driver and during installation do not pull on the power wire. Custom connectors such as JST type, DC connectors & Mini Mate n Lok can be specified.

When all connections have been made and the LED Light Panel has been installed into the correct position, remove the protective film. If the film is not removed the illumination will appear uneven.

Tel +44 (0) 1932 355221 Email info@brightgreentechnology.com
Find out more at www.brightgreentechnology.com or visit
www.ledlightpanel.co.uk



LED Light Panel Install & Handling Guide

Storage

Store the panels in a cool, dry place, away from dust and heat. Store the panels flat.

Handling and cleaning

When handling LED Light Panel always wear cotton gloves to avoid scratching or getting finger prints on the panel. To clean the LED Light Panel, turn off the power and use a non-solvent, non-abrasive glass cleaner on all plastic parts.

Care should be taken not to pull the cable from the LED Light Panel. Whilst the light panel is supplied with strain relief on the cable, you should check that the cable has suitable strain relief when installed into the fixture, particularly if it is in environment where it may be moved or knocked.

Operating notes

LED Light Panel should be operated in a dry environment.

The operating temperature range is -10° to 45°C

Ensure there is ventilation around the lit edges.

Do not cut the LED Light Panel or attempt to disassemble or modify the components in any way.

Do not drop or bend the LED Light Panel.

Do not rest the panel on a wired edge or corner.

Do not drill holes in the LED Light Panel.

Do not place graphics or any other adhesive material directly onto the LED Light Panel.

Do not fix anything to the rear of the Frame A LED Light Panel.

Maintenance

No planned maintenance of Bright Green LED Light Panel is required.