

# Bright Green Sign Modules

Bright Green Sign Modules offer superior luminosity and brightness at lower cost. The modules are designed for backlighting channel letters and general, architectural lighting purposes.



## Product Range

### 1 LED module

Product code	Colour	Colour temp*	Lumens/module*	Voltage	Power/module	Viewing angle	CRI	Max string length	IP rating	Pack size
SM-1CW12-50	Cool white	6700K	22	12	0.24W	120°	>80	50	63	50

### 2 LED module

Product code	Colour	Colour temp*	Lumens/module*	Voltage	Power/module	Viewing angle	CRI	Max string length	IP rating	Pack size
SM-2CW12-50	Cool white	6700K	34	12	0.60W	120°	>80	50	65	50
SM-2WW12-50	Warm white	2700K	31	12	0.60W	120°	>80	50	65	50
SM-2R12-50	Red	625nm	10	12	0.66W	120°	>80	50	65	50
SM-2G12-50	Green	530nm	22	12	0.66W	120°	>80	50	65	50
SM-2B12-50	Blue	460nm	3	12	0.66W	120°	>80	50	65	50

### 3 LED module

Product code	Colour	Colour temp*	Lumens/module*	Voltage	Power/module	Viewing angle	CRI	Max string length	IP rating	Pack size
SM-3CW12-50	Cool white	6500K	120	12	0.72W	120°	>80	50	68	50
SM-3WW12-50	Warm white	3000K	110	12	0.72W	120°	>80	50	68	50

### 4 LED module

Product code	Colour	Colour temp*	Lumens/module*	Voltage	Power/module	Viewing angle	CRI	Max string length	IP rating	Pack size
CM-4CW12-50	Cool white	8000K	72	12	1.44W	120°	>80	50	65	50

\* Typical values

Operating temperature range: -20° to 50° C.

Storage temperature range: -20° to 60°C.

Tel +44 (0) 1932 355221 Email [info@brightgreentechnology.com](mailto:info@brightgreentechnology.com)  
Find out more at [www.brightgreentechnology.com](http://www.brightgreentechnology.com)  
or buy online at [www.brightgreendirect.com](http://www.brightgreendirect.com)

© 2017 Bright Green Technology Limited V8.0

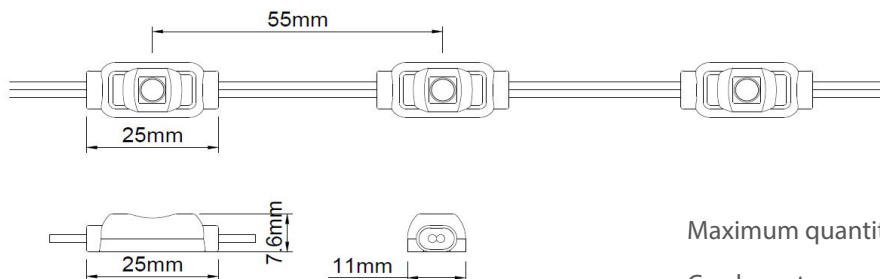
bright green.  
technology 

# Bright Green Sign Modules

## Dimensions

### 1 LED Module

Weight per module: 2.8g

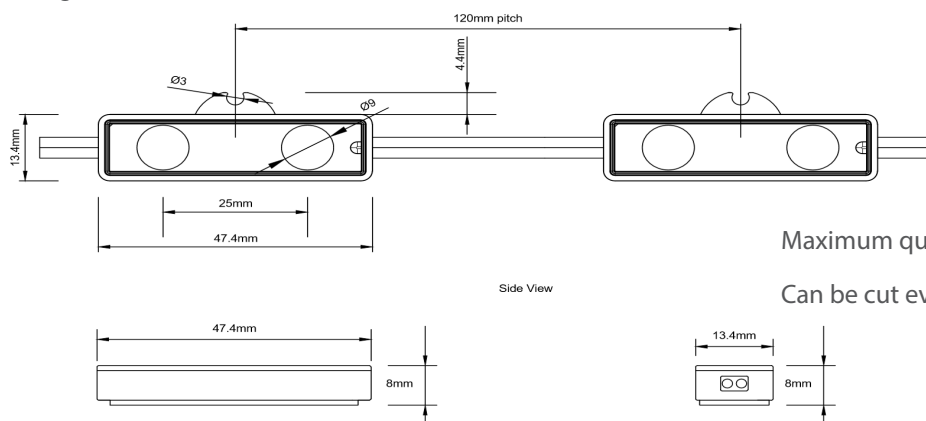


Maximum quantity in series : 50 modules

Can be cut every module

### 2 LED Module - White

Weight per module: 8g

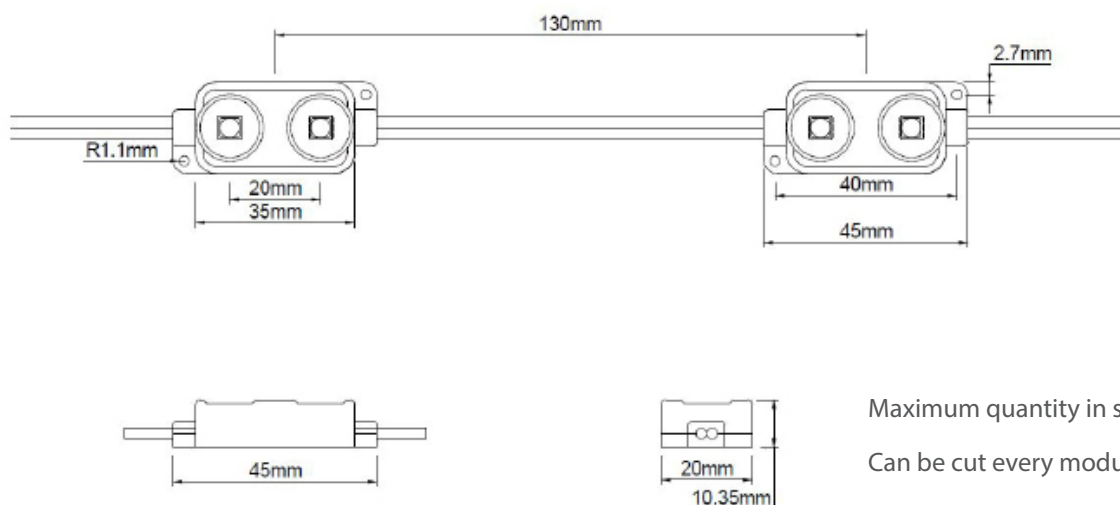


Maximum quantity in series : 50 modules

Can be cut every module

### 2 LED Module - Colours

Weight per module: 10.6g



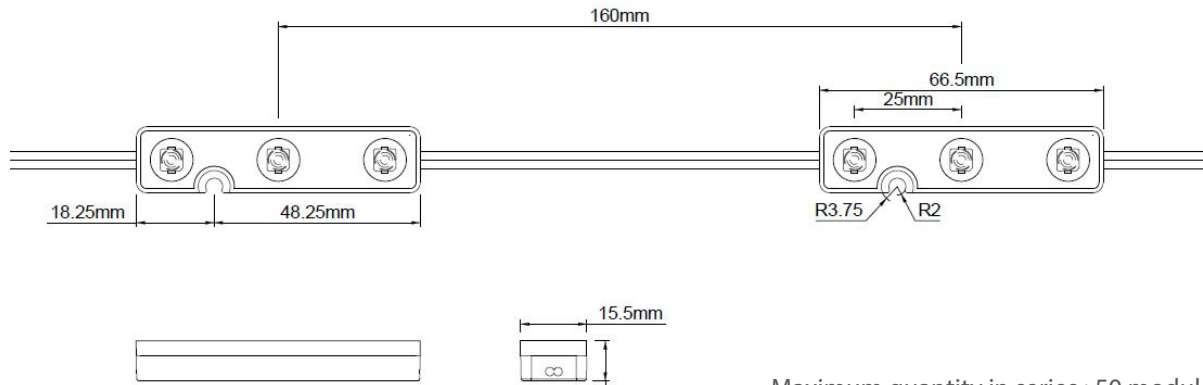
Maximum quantity in series : 50 modules

Can be cut every module

# Bright Green Sign Modules

## 3 LED Module

Weight per module: 7.0g

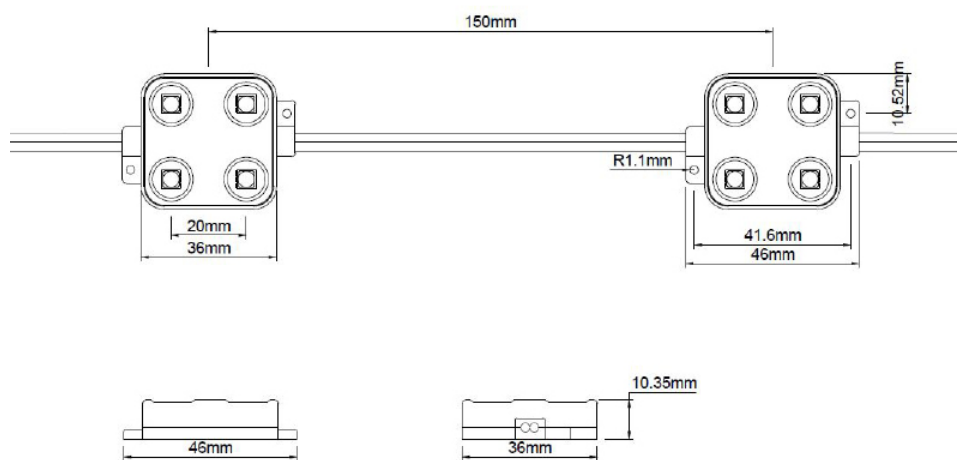


Maximum quantity in series : 50 modules

Can be cut every module

## 4 LED Module

Weight per module: 13.0g



Maximum quantity in series : 50 modules

Can be cut every module

### Connection

Connection to the mains must be carried out by a suitably qualified operative.

Please see the Bright Green Sign Module install guide for layout and electrical connection guidelines.