

Bright Green Rigid LED PCB

Bright Green Rigid LED PCB is a high power LED strip used for backlighting and edge lighting displays. It uses premium quality construction and components.

Our custom design service allows you to specify colour temperature, length and LED pitch. You can also specify our high CRI or bin controlled range.



Specification

Product code	Colour	Colour K*	Lumens/ metre*	LEDs/ metre	LED pitch	Power/ metre	CRI	Voltage	Standard length
PCB-512-2700-468	Warm white	2700	2241	83	12mm	20W	>80	12V	468mm
PCB-512-3000-468	Warm white	3000	2282	83	12mm	20W	>80	12V	468mm
PCB-512-4000-468	Neutral white	4000	2407	83	12mm	20W	>80	12V	468mm
PCB-512-5300-468	Neutral white	5300	2490	83	12mm	20W	>80	12V	468mm
PCB-524-5300-490	Neutral white	5300	2490	83	12mm	20W	>80	24V	490mm
PCB-524-6500-490	Cool white	6000	2095	71	14mm	20W	>80	24V	490mm
PCB-512-6500-468	Cool white	6500	2407	83	12mm	20W	>80	12V	468mm
PCB-512-9500-468	Cool white	9500	2656	83	12mm	20W	>80	12V	468mm
PCB-512-30-65-283	Dynamic	3000-6500	1049	116	8.58mm	14.4W	>80	12V	283mm
PCB-824-RGB-500	RGB	n/a	n/a	60	16.67mm	14.4W	n/a	24V	500mm
PCB-812-6500-490	Cool White	6000	637	62.5	16mm	6.6W	>80	12V	480mm
PCB-812-RGB-500T	RGB	n/a	n/a	83	16.7mm	14.4W	n/a	12V	500mm
PCB-1012-RGBCW-500T	RGBW	RGB, 6500K	n/a	166	16.7mm	17.2W	n/a	12V	500mm

* Typical values. Custom options include specific colours and colour temperatures, variable LED pitch and board lengths, high CRI or strict bin control

Operating temperature range: -30° to 75°C

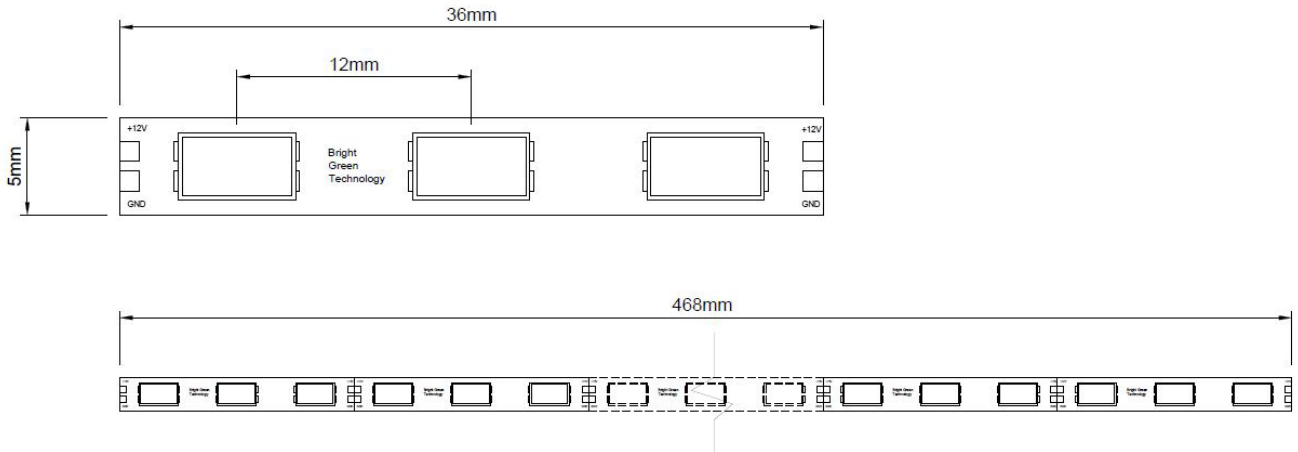
Storage temperature range: -30° to 110°C

Bright Green Rigid LED PCB

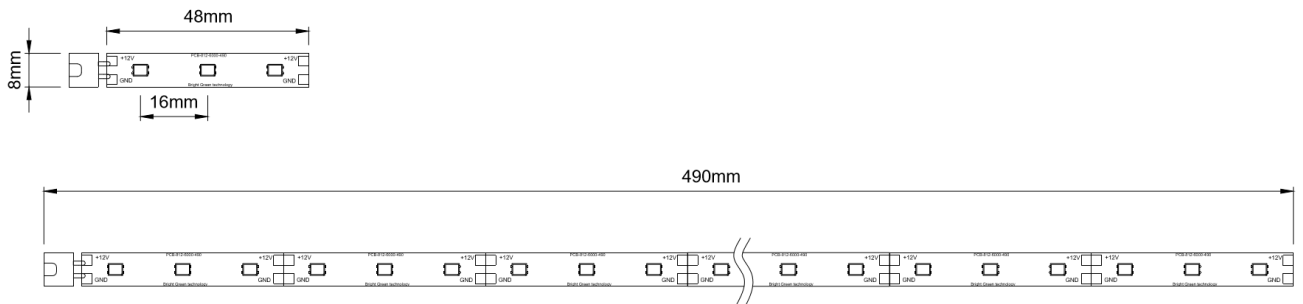
Dimensions

12 Volt PCBs:

PCB-512- CCT- 468



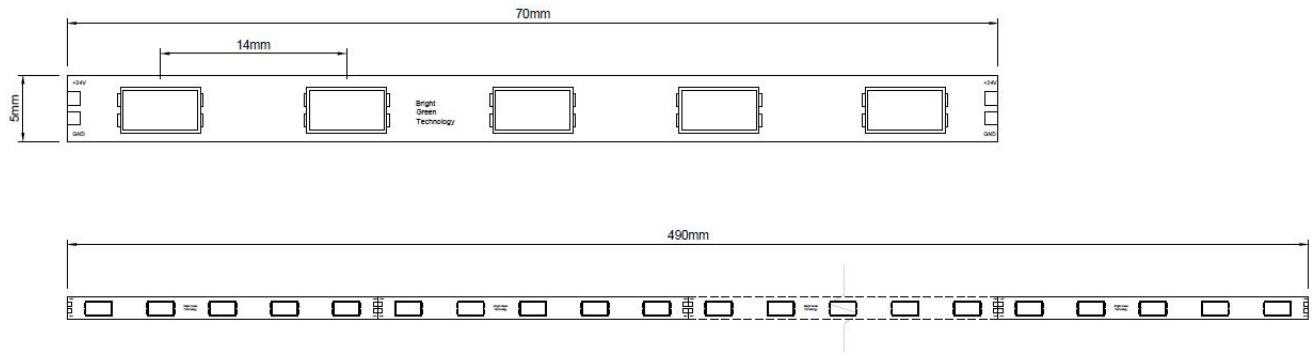
PCB-812- 6000- 490



Bright Green Rigid LED PCB

Dimensions

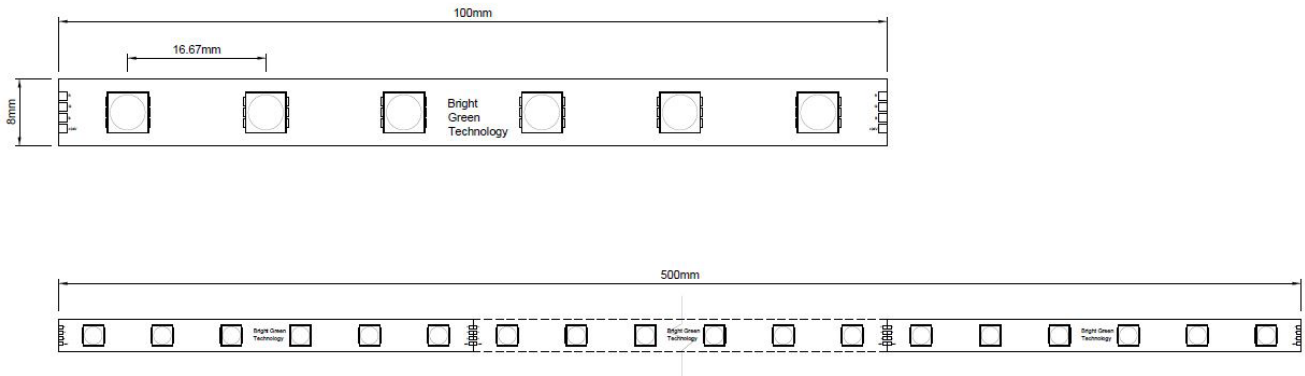
24 Volt PCBs



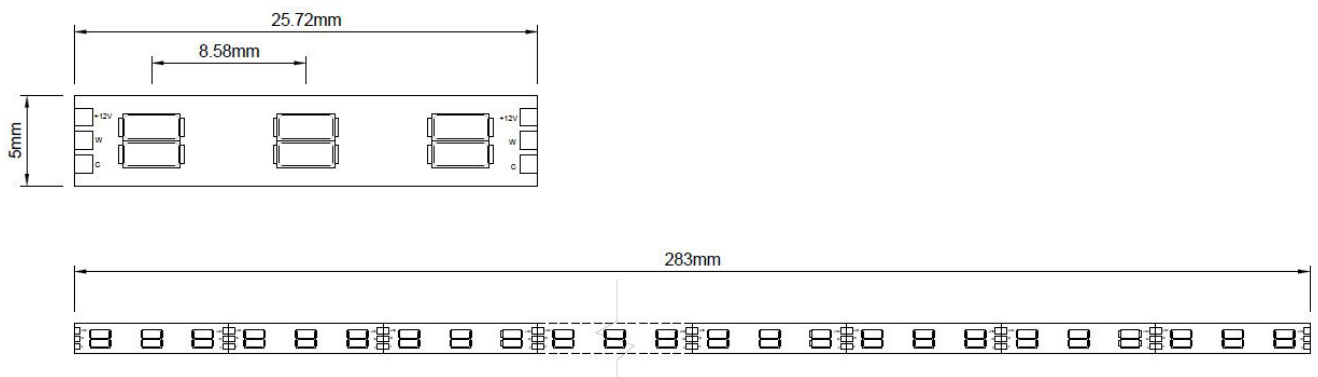
Bright Green Rigid LED PCB

Dimensions

RGB PCB



Dynamic White PCB



Connection

Installation should be carried out by suitably qualified personnel.

