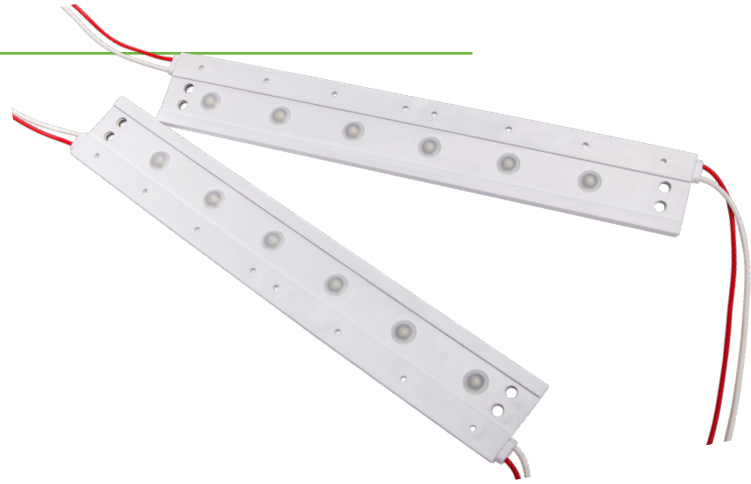


Bright Green Duo

Bright Green Duo modules have 6 lensed LEDs on either side of the module. This means that only one string of modules needs to be installed into each double sided box.



Product Range

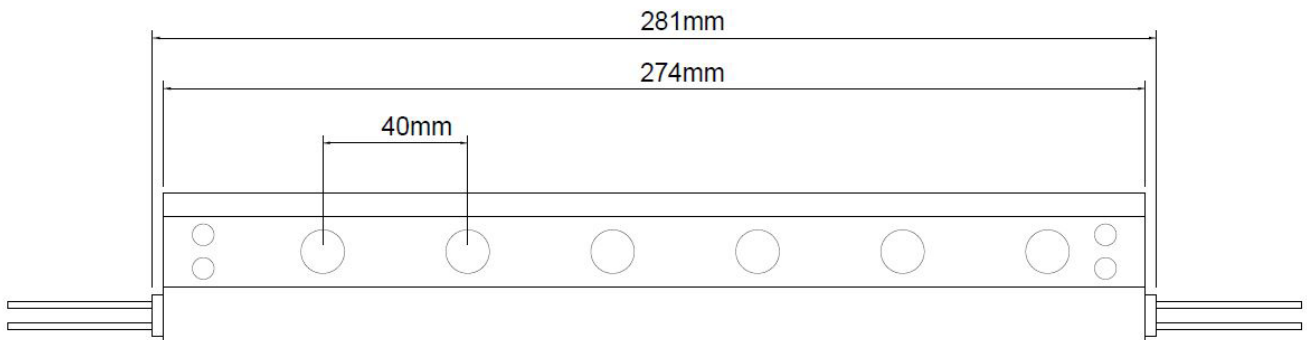
Product code	Colour	Colour temp	Lumens/module	Voltage	Power/module	Viewing angle	CRI	Modules per string	Pack size
BGD-12CW24-5	Cool white	6500K	464	24V	5.8W	145°	>80	15	5

Operating temperature range: -20° to 50°C.

Storage temperature range: -20° to 60°C.

Dimensions

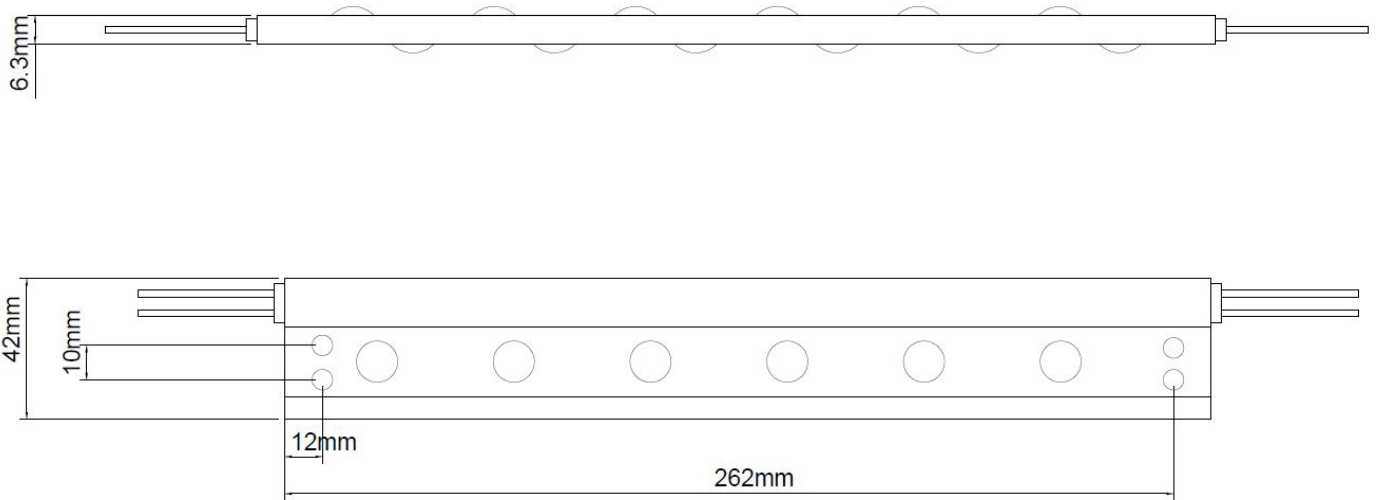
Weight per module: 115g



Maximum quantity in series: 15 modules. Connect further modules in parallel

Bright Green Duo

Dimensions



Connection

Bright Green Duo requires a suitable 24V power supply. Mains connection must be carried out by a suitably qualified operative.